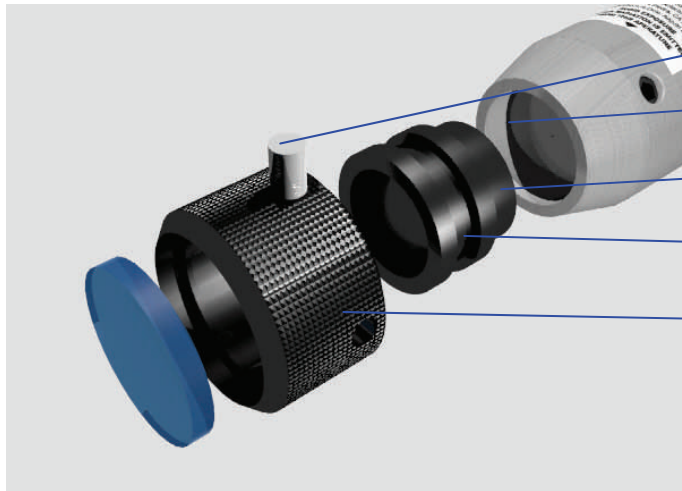


Laser Center/Edge Finder®

www.lasercenteredgefinder.com



Pin or set screw

Internal thread (A)

External thread (B)

Mounting Groove (C)

Knurled sleeve (D)

Part (B) can be threaded into the nose of the laser.

Knurled sleeve (D) slips over part (C) and is secured by two pins or set screws.

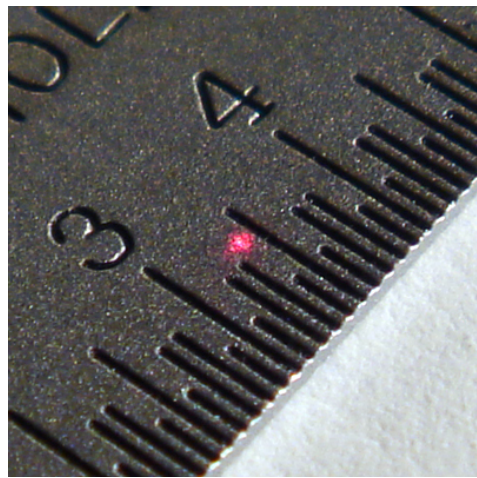
The pins will ride in the channel of part (C) and allow rotation.

To install on the laser, the adjusting wrench can be inserted through the body of both assemblies and rotated.



Modeled in Rhino
Rendered in Flamingo
Compiled in Photoshop

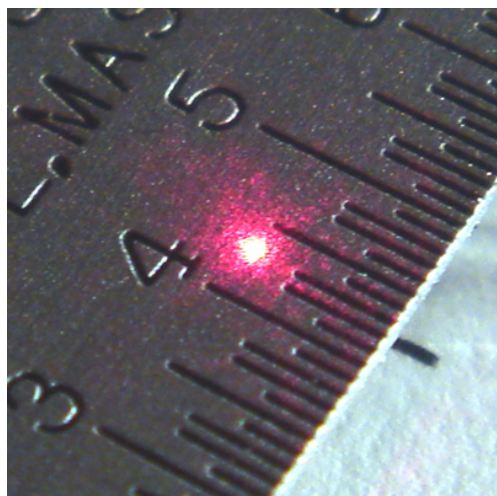




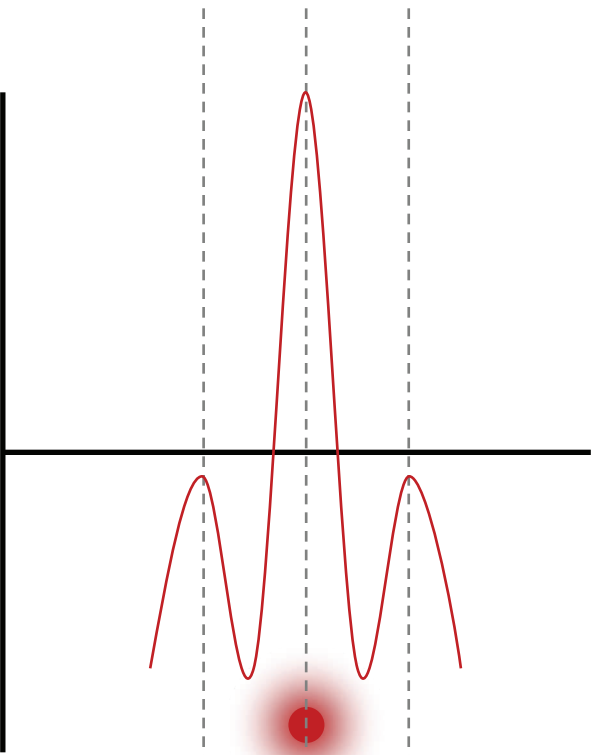
POLARIZED



NON-POLARIZED



SPOT INTENSITY



SPOT INTENSITY

